

ILERFIL ABS

Manual gross weight bagging machine for powder products with auger doser.

Output: Up to 240 bags per hour
 Type of product: Powder
 Type of bags: Paper, PP, PE, Al, with or without gussets
 Level of automation: Semi-automatic



BENEFITS

THE ILERFIL ABS SEMI-AUTOMATIC BAGGING MACHINE OFFERS...

- Product quality assurance
- Easy cleaning and hygiene
- Quick return on investment
- Reduced downtime
- Easy maintenance
- Simple, intuitive operation
- Dust-free work environments
- Safety
- Precise weighing

APPLICATIONS

- Agri-food: phytosanitary products, ingredients for animal feed.
- Food: flour, ingredients, powdered milk, cocoa powder, icing sugar.
- Chemical and petrochemical: soluble fertilisers, fine chemicals, additives.
- Construction and mining: mortars and premixtures, cements, phosphates, carbonates, plasters, talcs.

TECHNICAL SPECIFICATIONS

POWER SUPPLY:

VOLTAGE: 380 III N+T 50 Hz

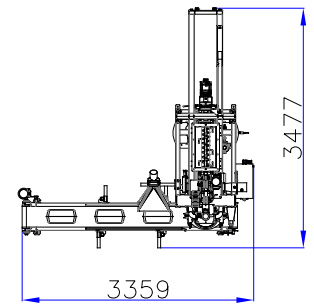
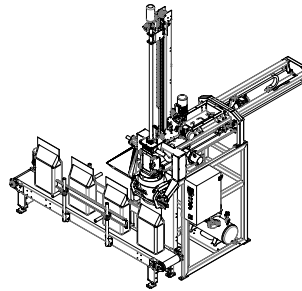
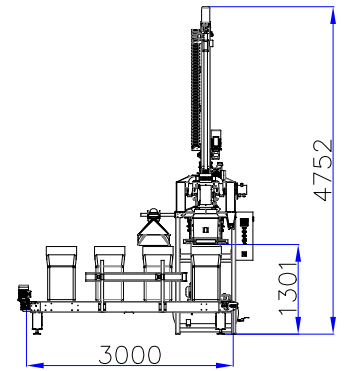
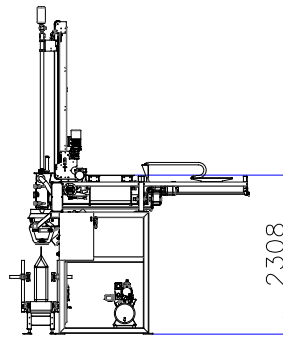
CONTROL VOLTAGE: 24V

POWER: 6 kW

PNEUMATIC SUPPLY:

PRESSURE: 6 bar

CONSUMPTION: 20 NL/min



CHARACTERISTICS

- Output up to 240 bags per hour, depending on product characteristics, formats handled and speed or number of operators on the bagging line.
- Auger screw doser – single or double depending on the product properties and the speed required from the bagging machine.
- Vertical pneumatic slide gate for dosing.
- Mechanical design without diameter reductions that prevents accumulation of product in any parts or corners.
- Dust collection outlets to be connected to the filter. Guided dust collection at the filling spout.
- Oval filling spout with external clamp for blocking and holding the bag.
- Compact design that reduces the product's drop height.
- Simple, intuitive control screen for the operator.
- Approved MID Class 0.2 weight controller.

OPTIONS

- Bridge breaker shaking system.
- Product deaeration probe.
- Quick cleaning kit through rear extraction of auger screws and quick-opening front viewing windows.
- Anti-corrosion versions for corrosive products.
- ATEX versions for work in Classified Zones.
- Construction in Stainless Steel.
- Platform for filling boxes/drums.