

ILERBAG V

Automatic vertical FFS bagging machine from flat roll

Production: up to 1,200 bags/hour
Type of product: Granules



BENEFITS

THE ILERBAG V VERTICAL FFS BAGGING MACHINE OFFERS:

- Total automation of the bagging process
- High degree of operating autonomy
- Savings on packaging costs
- Quick return on investment
- Reduced stocks of consumables in different formats
- Flexible, quick, versatile format changes
- Optimal plastic bag production results
- Easy operation
- Easy, safe maintenance process
- Optimised production

APPLICATIONS

ILERBAG V is suitable for use in all kinds of industries:

- Agri-food: seeds, grains, animal feed, pet foods, premixtures.
- Food: sugar, chocolate, semolina, pulses, nuts, flour, ingredients.
- Chemical and petrochemical: plastic granules, PVC, fertilizers.
- Construction and mining: sand and gravel, sepiolites, perlite, mortars, salt.
- Recycling: biomass pellets, compost, shredded tyres.

TECHNICAL SPECIFICATIONS

POWER SUPPLY:

VOLTAGE: 380 III N+T 50 Hz

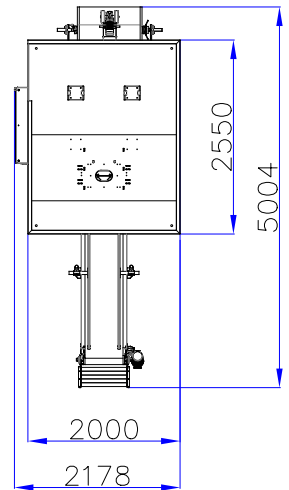
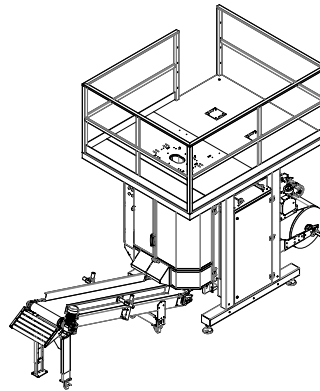
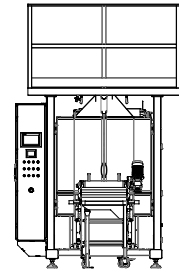
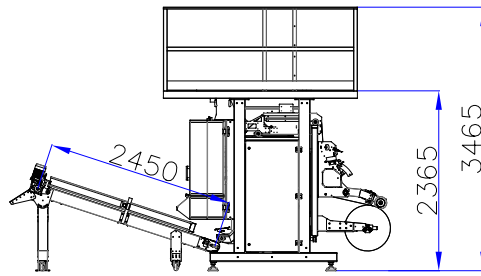
CONTROL VOLTAGE: 24V

POWER: 9.5 kW

PNEUMATIC SUPPLY:

PRESSURE: 6 bar

CONSUMPTION: 500 NL/min



CHARACTERISTICS

- Production of up to 1,200 bags per hour, depending on product characteristics and formats handled.
- The unwinding, bag forming, product weighing, filling and heat sealing processes are combined in a single bagging machine.
- Sealing and cutting system driven by servomotor.
- Unwinding mechanism driven by universal joint.
- Pneumatic coupling on forming tubes.
- PE or heat-sealable material bags from a flat roll.
- Mechanisms isolated from the product, thus extending time between maintenance tasks and the components' service life.
- Dosing through gravity, conveyor belt, vibratory feeder or auger dosers, depending on the product's properties.
- Configuration in net or gross weight, depending on the required speed.
- Simple, intuitive control screen for the operator.

OPTIONS

- Carousel to quickly change forming tubes.
- Module to form side gussets.
- Automatic reel alignment system.
- Hydraulic reel lifting system.
- Coding and/or labelling built into the bagging machine.
- Extraction of air from inside the bag.
- Anti-corrosion versions.
- ATEX versions.
- Food-safe finish versions.