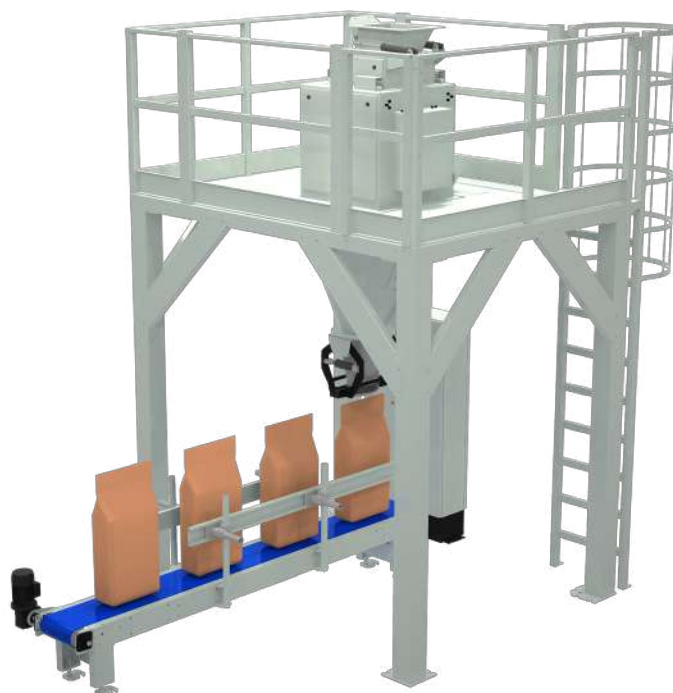


ILERFIL AN

Manual net weight bagging machine for all kinds of products.

Production: Up to 1,200 bags per hour
 Type of product: Granules and powder
 Type of bags: Paper, PP, PE, Al, with or without gussets
 Level of automation: Semi-automatic



BENEFITS

THE ILERFIL AN SEMI-AUTOMATIC BAGGING MACHINE OFFERS...

- Easy maintenance
- Dust-free work environments
- Precise weighing
- Optimised production
- Reduced downtime

OPTIONS

- Bridge breaker shaking system.
- Product deaeration probe.
- Quick cleaning kit through rear extraction of auger screws and quick-opening front viewing windows.
- Anti-corrosion versions for corrosive products.
- ATEX versions for work in Classified Zones.
- Construction in Stainless Steel.
- Conical hopper with butterfly valve at the bottom.

TECHNICAL SPECIFICATIONS

POWER SUPPLY:

VOLTAGE: 380 III N+T 50 Hz

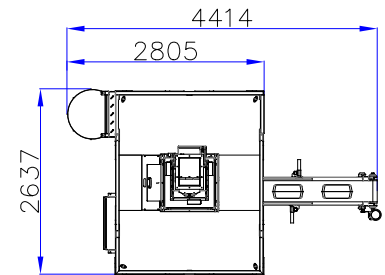
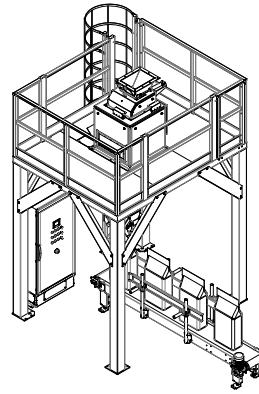
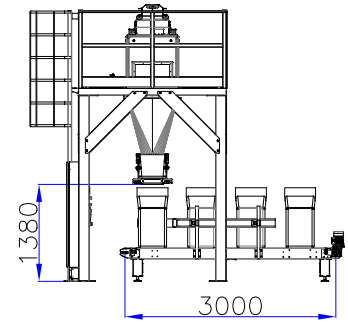
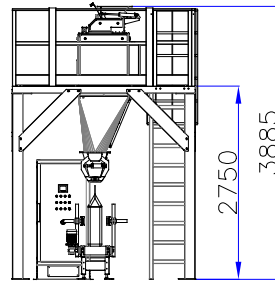
CONTROL VOLTAGE: 24V

POWER: 2 kW

PNEUMATIC SUPPLY:

PRESSURE: 6 bar

CONSUMPTION: 150 NL/min



CHARACTERISTICS

- Production of up to 1,200 bags per hour, depending on product characteristics, formats handled, and speed or number of line operators.
- Dosing through gravity, conveyor belt, vibratory feeder or auger dosers, depending on the properties of the product being bagged.
- Weighing bucket held by 3 load cells.
- Access doors and inspection and cleaning hatches.
- Dust collection outlet to be connected to the filter.
- Oval filling spout with external clamp for blocking and holding the bag.
- Simple, intuitive control screen for the operator.
- Approved MID Class 0.2 weight controller.

OPTIONS

- Bridge breaker shaking system.
- Product deaeration probe.
- Quick cleaning kit through rear extraction of auger screws and quick-opening front viewing windows.
- Anti-corrosion versions for corrosive products.
- ATEX versions for work in Classified Zones.
- Construction in Stainless Steel.
- Conical hopper with butterfly valve at the bottom.